

Wellcraft®  
egress systems



# Wellcraft Egress Wells & Windows

## *Protecting Families with Egress Code Compliance*

Wellcraft offers an innovative range of complete egress systems that beautify and brighten a basement while ensuring safety and code compliance. The enhanced safety features are combined with superior durability and unique style. Our wells, well covers and windows keep their integrity without any routine maintenance required.



### **Critical Safety**

Our systems provide code-compliant ingress – a fireman’s friend and a family’s vital safety net. Fire can spread through a home in as little as two minutes. These access points are sized to allow easy basement entry by a fully-equipped firefighter who may need to rescue adults or children who cannot escape fire danger on their own. Wellcraft Egress Systems meet the legal requirements of the 2012 IRC – International Residential Code (section R310).





## No Maintenance

The high-quality construction of Wellcraft wells features durable, UV-protected polyethylene. Designed to deliver low-maintenance durability, Wellcraft wells are crafted from polyethylene with UV inhibitors to offer superior weathering capabilities. This tough material resists impacts and abrasions, and also rusting, cracking and fading – all backed by a limited lifetime warranty.

## Beautifying Your Home

Basement living areas add significant livable space and value to a home. Whether your basement design features one or more bedrooms, a home office, home theater or play room, Wellcraft provides a beautiful touch. Our systems enhance the quality of these spaces by delivering fresh air and sunlight, creating a more comfortable and open feel.



# Code-Compliant Wells



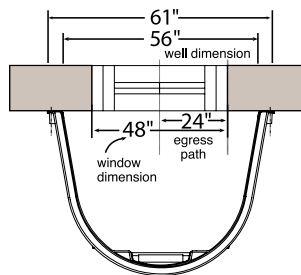
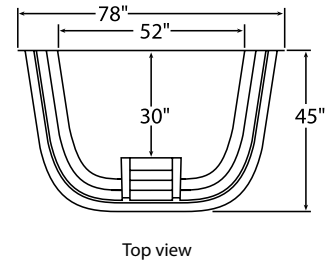
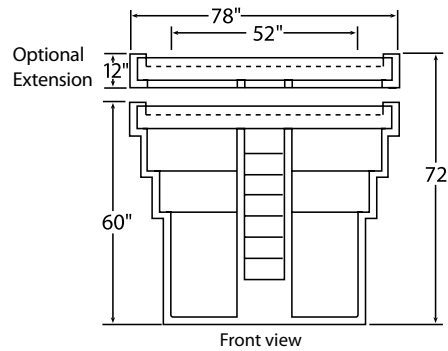
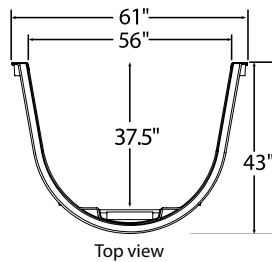
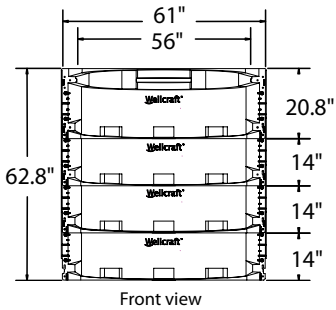
## 5600 Modular Well

Offers modular locking sections with an attractive maintenance free design. A typical installation uses four sections and is easy to install. The 5600 is designed for windows up to 4-foot wide. Each section weighs only 24 pounds and is easy to transport.



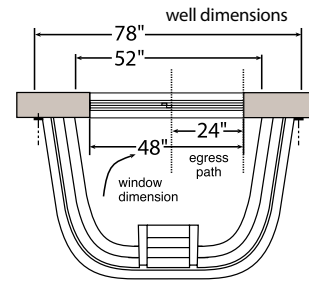
## 2060 Single Unit Well

Designed for use with up to 4-foot wide egress windows. One-piece construction makes this well both durable and simple to install. With the optional 12" extension, the 2060 can accommodate a greater depth. (Maximum 1 extension per unit)

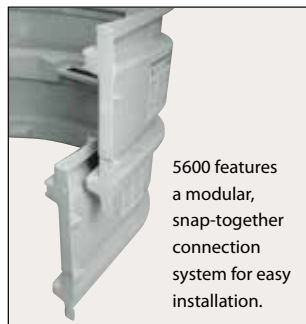


Sizing Options	
Sections	Total Height
1	20 <sup>7</sup> / <sub>8</sub> "
2	34 <sup>7</sup> / <sub>8</sub> "
3	48 <sup>7</sup> / <sub>8</sub> "
4	62 <sup>7</sup> / <sub>8</sub> "
5	76 <sup>7</sup> / <sub>8</sub> "

Top view with wall and window

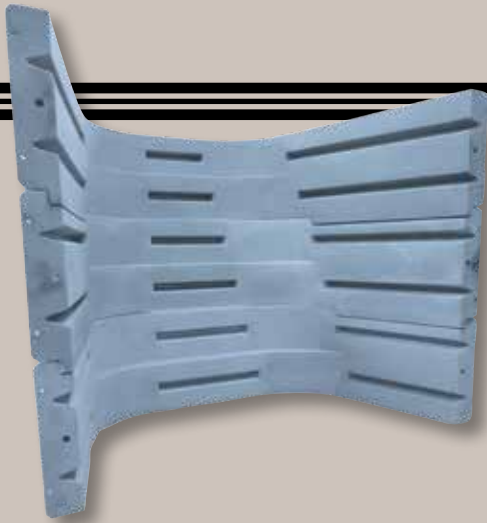


Top view with wall and window



2060 Extensions (sold separately)





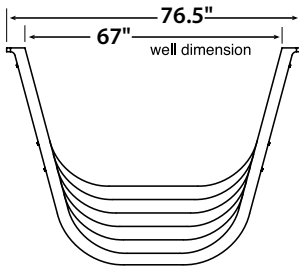
## 6700 Modular Well

For large windows, the 6700 is comprised of three sections that lock together and is designed for use with 5-foot wide windows. The six terraced egress steps allow for quick and easy egress.

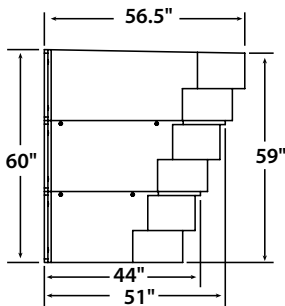


## 2062 Single Unit Well

Designed for use with 3-foot wide casement windows. This model is the ideal choice for projects with smaller windows. One-piece construction makes this well both durable and simple to install.



Top view



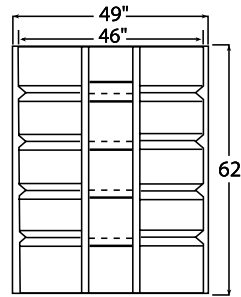
Side view



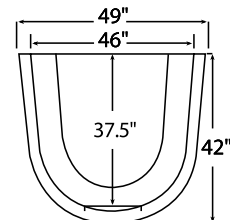
sandstone  
#067000391



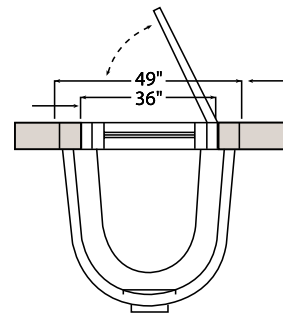
granite grey  
#067000390



Front view



Top view



Top view with  
wall and window



sandstone  
#020620191



granite grey  
#020620190



# Wellcraft has it covered!



Rocks are for decorative use only and are not part of the well installation.





If the well is installed on an existing window, you must use a dome style cover, fence, or other enclosure to ensure safety around the well.

Wellcraft well covers open easily from both the inside and outside, but also add a level of protection by helping prevent children and pets from accidentally falling in. A durable 4-point hook-and-loop system fastens covers in place. Cover attachments will hold covers in place in up to 50 mph gusts yet they remain very easy for a firefighter to pop open for rapid response into a basement.

Our crystal-clear, UV-inhibited polycarbonate covers allow unobstructed sunlight to reach the basement. By keeping out leaves and other unsightly debris, covers help sustain a beautiful look and clean environment.

- Flat covers safely hold up to 500 pounds.
- Dome covers safely hold up to 350 pounds.
- Designed for easy emergency escape.
- Eliminate constant cleaning.
- Improve the look of your home.
- Allow sunlight to brighten your basement.

Flat Cover Options		Item #	Width	Depth	Height	Weight
	2062 Polycarbonate Cover	#020620902	47½"	43"	6"	9 lbs.
	5600 Polycarbonate Cover	#056000960	58"	44½"	6"	11 lbs.
	2060 Polycarbonate Cover	#020600902	75"	46"	6½"	15 lbs.
	6700 Polycarbonate Cover	#067000902	75½"	58"	6½"	17 lbs.

Dome Cover (for use when window extends above grade)		Item #	Width	Depth	Height	Weight
	5600 Polycarbonate Dome Cover	#056000918	59"	44"	Outside 22½" Inside 18"	46 lbs.

# Let there be light.

Our windows are designed not only to allow for easy access in case of emergency but also to provide an attractive decorative accent to any basement. All of our windows feature an all vinyl, maintenance free frame, which does not require any painting and will not rust. The sash is removable for easy cleaning or to pass material through the opening. All of the windows are poly-wrapped before pour to prevent any concrete from getting on window.

## Time Saver!

All models are fully braced and wrapped for poured wall installation.



### In-Swing Egress

#WISE2745

- 3/4" insulated Low-E glass is standard - U-value of 0.28.
- Fiberglass full screen is removable from the inside.
- Available for all wells.
- Egress compliant.
- Frame Dimensions: 27" x 45"
- 8" Jamb
- Net Clear Opening\*:  
20-1/8" x 40-7/8" (5.71 sq. ft.)
- Net Clear Glass Opening:  
20-3/8" x 38-3/8" (5.43 sq. ft.)



### Egress Slider

#WFWS4848

- 3/4" insulated Low-E glass is standard - U-value of 0.34.
- Half-screen is removable from the inside.
- Available for the 5600, 2060, and 6700.
- Egress compliant.
- Frame Dimensions: 48" x 48"
- 8" Jamb
- Net Clear Glass Opening:  
21-9/16" x 42-3/16" (6.41 sq. ft.)



### Acrylic Block Egress

#WAB2947

- Provides privacy, security, and is 75% lighter than glass block.
- Tested energy rating comparable to 7/8" insulated glass.
- Full screen is removable from the inside.
- Acrylic block is UV stabilized and will not turn yellow.
- Available for all wells.
- Egress compliant.
- Frame Dimensions: 29-1/4" x 47-1/4"
- 8" Jamb
- 6" Block Configuration: 4 x 7
- Net Clear Glass Opening:  
22-5/8" x 40-5/8" (6.38 sq. ft.)

\*When sash opened in the normal inward position.

## Installed by a skilled contractor in five steps!

### 1. Dig



### 2. Cut



### 3. Mount



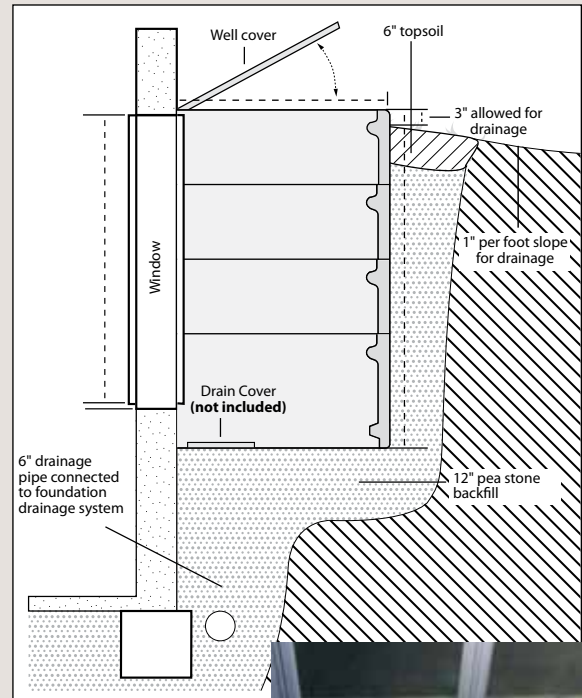
### 4. Backfill



### 5. Cover



Please note that our covers are not designed to be water tight. They are to protect against any person, pet or debris accidentally falling into the well. In the event that water does enter into the well, Wellcraft wells when installed correctly will allow any water that enters the well to drain through the bottom into the drainage pipe (see diagram above). It is important to make sure that the drain is clear of debris at all times. A drain cover can be installed to protect against any drain clogging debris. **The drain cover is not included with your well.**



## Building Code Compliant

5600, 2060, and 6700 only

All Wellcraft Egress Window Wells comply with the International Residential Code (IRC) 2012 Egress code for one and two family dwellings. Following are some of the highlights of the IRC 2012 Code (Section R310) as it pertains to windows below ground level. See your local building inspector with questions regarding code requirements in your area.

#### Windows:

- Sill height of window above floor: ..... Not to exceed 44"
- Minimum opening area: .....  $\geq 5.7$  sq. ft.
- Minimum opening height: .....  $\geq 24$ "
- Minimum opening width: .....  $\geq 20$ "

#### Window Wells/Area Wells:

- Required where window opening sill height is below ground elevation.
- Horizontal dimensions:  $\geq 9$  sq.ft.
- Horizontal projection:  $\geq 36$ "

	5600	6700	2060
Height	20 $\frac{7}{8}$ " and up (in 14" increments)	20", 40" or 60"	60" or 72"
Window	Up to 4" wide	Up to 5" wide	Up to 4" wide

#### Ladders:

Required on window wells deeper than 44" and must be permanently attached. Ladder may encroach into well up to 6".

Step distance between rungs:  $\leq 18$ "

Rungs: 12" wide or greater and must project a minimum of 3" away from wall but maximum of 6".

Code sponsored by: The Building Officials Code Administration (BOCA), the Uniform Building Codes (UBC), and the Southern Building Code Congress International (SBCCI).

**Wellcraft**  
egress systems

888-812-9545 • WellcraftWells.com



**BORAL**  
BUILDING PRODUCTS

Atlantic® Premium Shutters | Builders Edge® | Foundry® Specialty Siding | Grayne® Engineered Composite Shingle  
Kleer® | Mid-America Siding Components® | SturdiMount® | Tapco Tools® | TruExterior® Siding & Trim  
Vantage® Shutters | Versetta Stone® | Wellcraft Egress Systems®